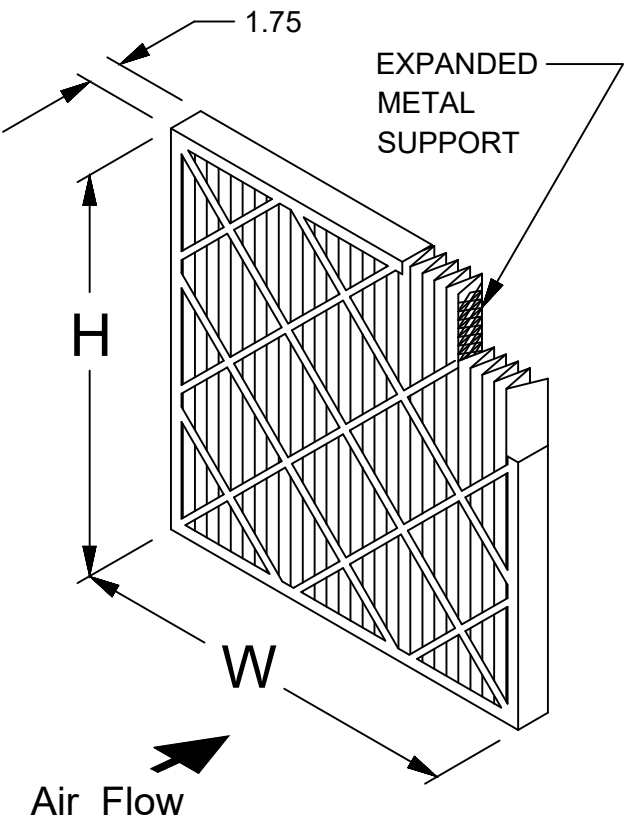


| Nominal Size<br>W x H x D<br>(in) | Actual Size<br>W x H x D<br>(in) | Part Number | Capacity<br>(CFM) | Resistance<br>(in W.G.) | Media Area<br>(sq ft) | Carton Qty | Weight per<br>Carton (lbs) |
|-----------------------------------|----------------------------------|-------------|-------------------|-------------------------|-----------------------|------------|----------------------------|
| 10 x 20 x 2                       | 9-1/2 x 19-1/2 x 1-3/4           | 102-700-011 | 700               | 0.23                    | 4.0                   | 12         | 8                          |
| 12 x 12 x 2                       | 11-1/2 x 11-1/2 x 1-3/4          | 102-042-035 | 500               | 0.23                    | 2.7                   | 12         | 8                          |
| 12 x 20 x 2                       | 11-1/2 x 19-1/2 x 1-3/4          | 102-042-002 | 850               | 0.23                    | 4.5                   | 12         | 8                          |
| 12 x 24 x 2                       | 11-3/8 x 23-3/8 x 1-3/4          | 102-700-012 | 1000              | 0.23                    | 5.4                   | 12         | 10                         |
| 12 x 25 x 2                       | 11-1/2 x 24-1/2 x 1-3/4          | 102-042-003 | 1050              | 0.23                    | 5.6                   | 12         | 10                         |
| 14 x 20 x 2                       | 13-1/2 x 19-1/2 x 1-3/4          | 102-700-013 | 975               | 0.23                    | 5.5                   | 12         | 10                         |
| 14 x 25 x 2                       | 13-1/2 x 24-1/2 x 1-3/4          | 102-700-014 | 1225              | 0.23                    | 6.9                   | 12         | 11                         |
| 14 x 30 x 2                       | 13-1/2 x 29-1/2 x 1-3/4          | 102-042-039 | 1450              | 0.23                    | 8.3                   | 12         | 12                         |
| 15 x 20 x 2                       | 14-1/2 x 19-1/2 x 1-3/4          | 102-700-015 | 1050              | 0.23                    | 6.0                   | 12         | 11                         |
| 16 x 16 x 2                       | 15-1/2 x 15-1/2 x 1-3/4          | 102-042-005 | 900               | 0.23                    | 5.2                   | 12         | 8                          |
| 16 x 20 x 2                       | 15-1/2 x 19-1/2 x 1-3/4          | 102-700-016 | 1125              | 0.23                    | 6.5                   | 12         | 12                         |
| 16 x 24 x 2                       | 15-1/2 x 23-1/2 x 1-3/4          | 102-700-053 | 1350              | 0.23                    | 7.8                   | 12         | 10                         |
| 16 x 25 x 2                       | 15-1/2 x 24-1/2 x 1-3/4          | 102-700-017 | 1400              | 0.23                    | 8.1                   | 12         | 13                         |
| 16 x 30 x 2                       | 15-1/2 x 29-1/2 x 1-3/4          | 102-042-018 | 1675              | 0.23                    | 9.5                   | 12         | 12                         |
| 18 x 18 x 2                       | 17-1/2 x 17-1/2 x 1-3/4          | 102-042-007 | 1125              | 0.23                    | 6.3                   | 12         | 10                         |
| 18 x 20 x 2                       | 17-1/2 x 19-1/2 x 1-3/4          | 102-042-015 | 1250              | 0.23                    | 7.0                   | 12         | 12                         |
| 18 x 24 x 2                       | 17-1/2 x 23-1/2 x 1-3/4          | 102-700-018 | 1500              | 0.23                    | 8.4                   | 12         | 15                         |
| 18 x 25 x 2                       | 17-1/2 x 24-1/2 x 1-3/4          | 102-042-009 | 1575              | 0.23                    | 8.7                   | 12         | 11                         |
| 20 x 20 x 2                       | 19-1/2 x 19-1/2 x 1-3/4          | 102-700-019 | 1400              | 0.23                    | 8.0                   | 12         | 13                         |
| 20 x 24 x 2                       | 19-1/2 x 23-1/2 x 1-3/4          | 102-700-020 | 1675              | 0.23                    | 9.6                   | 12         | 15                         |
| 20 x 25 x 2                       | 19-1/2 x 24-1/2 x 1-3/4          | 102-700-021 | 1750              | 0.23                    | 10.0                  | 12         | 15                         |
| 20 x 30 x 2                       | 19-1/2 x 29-1/2 x 1-3/4          | 102-042-010 | 2100              | 0.23                    | 11.9                  | 12         | 13                         |
| 20 x 35 x 2                       | 19-1/2 x 34-1/2 x 1-3/4          | 102-042-030 | 2450              | 0.23                    | 13.9                  | 12         | 15                         |
| 24 x 24 x 2                       | 23-3/8 x 23-3/8 x 1-3/4          | 102-700-022 | 2000              | 0.23                    | 11.3                  | 12         | 17                         |
| 24 x 30 x 2                       | 23-1/2 x 29-1/2 x 1-3/4          | 102-042-011 | 2500              | 0.23                    | 14.3                  | 12         | 14                         |
| 25 x 25 x 2                       | 24-1/2 x 24-1/2 x 1-3/4          | 102-700-050 | 2175              | 0.23                    | 12.4                  | 12         | 12                         |



**Standard Construction:**

1. New White 100% Synthetic Media
2. Rust Resistant Expanded Metal Support on Downstream Side
3. Moisture Resistant Beverage Board Frame (24 point)
4. Double Wall Frame
5. 10 Pleats per Linear Ft.

**Notes:**

1. All Dimensions are in Inches Unless Otherwise Noted.
2. Drawing Not To Scale

**Specifications:**

1. Efficiency: MERV 8 (ASHRAE Standard 52.2-2017)
2. Efficiency: MERV 8-A per Appendix J (ASHRAE Standard 52.2-2017)
3. Final Resistance: 1.0" W.G.
4. Rated Velocity: 500 FPM
5. Classified per UL Standard 900
6. Max Operating Temp: 200 F ( 66C )
7. Tolerance: Height & Width - +/- 1/8"
8. Tolerance: Depth - +/- 1/16"



**Multi-Pleat XL8  
2" Standard Capacity**

| REV<br>LTR | REVISION               | BY /<br>DATE |
|------------|------------------------|--------------|
| A          | Add MERV 8-A Reference | DWM 120723   |
|            |                        |              |
|            |                        |              |

8401 Air Commerce Drive - Louisville KY 40219  
Phone: (502) 634-4796 FAX: (502) 637-2280

Drawn By: Dave Miller  
Date: 23 August, 2022

Revision  
**A**